

# MMXR and MM Display Wall Arm

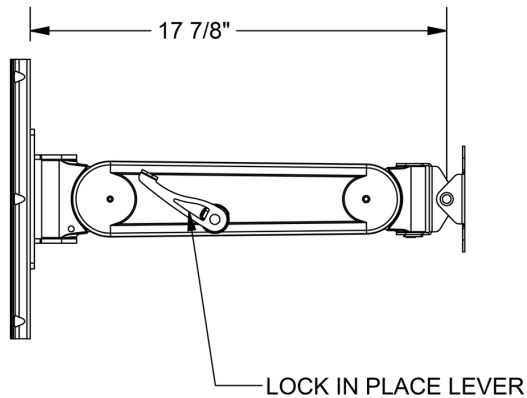
Strongarm Healthcare's MMXR and MM Display Wall Arms are based on our popular MightyMount™ wall arm and define a category of their own, standing apart from common "computer store grade" display arm mountings. Dual-axis pivot points, display rotation, and vertical articulation allow the wall arm to be quickly and easily repositioned to achieve optimal ergonomics for each user. Robust, die-cast aluminum construction, an antimicrobial powder-coated finish, and integrated cable management make the MMXR and MM Display Wall Arms a superb choice for any healthcare or point-of-care environment.



# Features

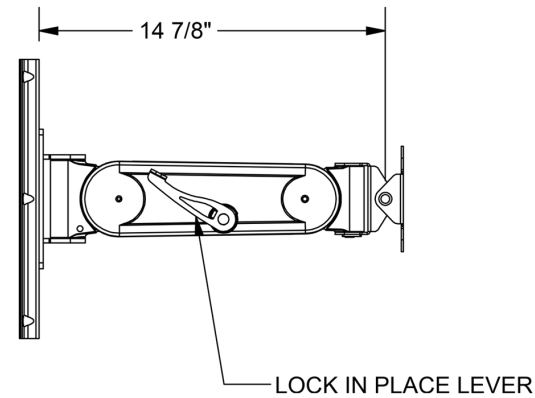
## MM XR Display Wall Arm

- Integrated cable management
- Repositions effortlessly with 100% counter-balanced adjustability
- 25lb weight capacity
- Extends up to 17.875" from wall mounting point
- 16" of vertical articulation
- Secure mechanical lock-in-place feature
- 75/100mm VESA pattern display mount
- 90° display rotation (landscape or portrait) with tilt adjust
- 340° display swivel
- Optional 12" or 18" horizontal extension
- Robust, die-cast aluminum construction
- Antimicrobial powder-coated finish
- Mounting track available in lengths from 12" to 60"
- Limited Lifetime Warranty

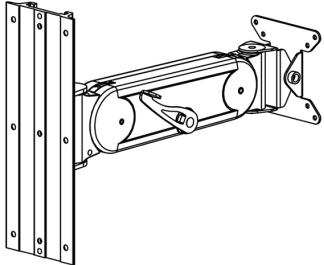
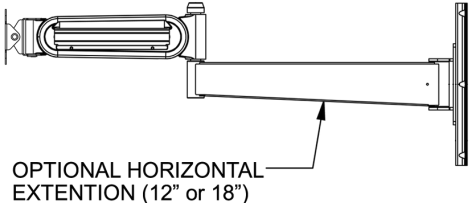
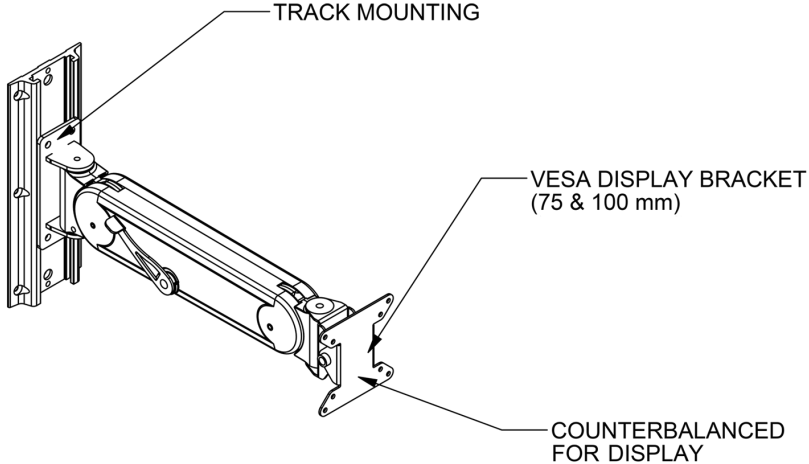
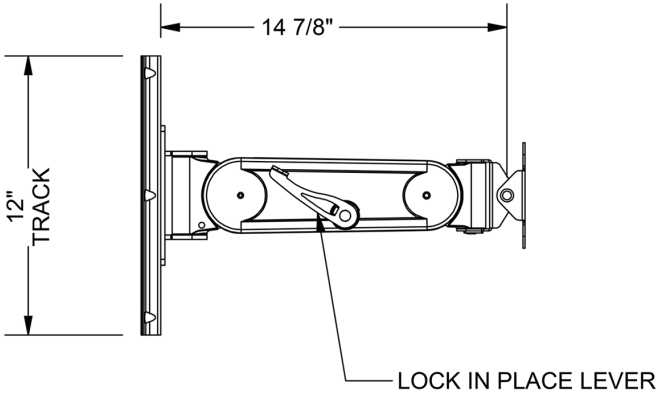
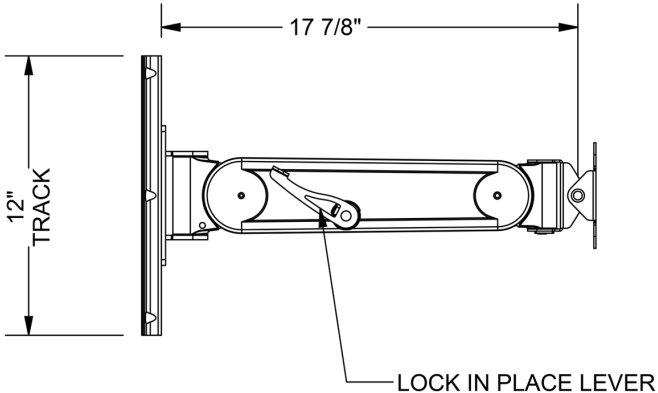


## MM Display Wall Arm

- Integrated cable management
- Repositions effortlessly with 100% counter-balanced adjustability
- 35lb weight capacity
- Extends up to 14.875" from wall mounting point
- 12" of vertical articulation
- Secure mechanical lock-in-place feature
- 75/100mm VESA pattern display mount
- 90° display rotation (landscape or portrait) with tilt adjust
- 340° display swivel
- Optional 12" or 18" horizontal extension
- Robust, die-cast aluminum construction
- Antimicrobial powder-coated finish
- Mounting track available in lengths from 12" to 60"
- Limited Lifetime Warranty



# MMXR and MM Display Wall Arm Base Configurations and Dimensions



[strongarmhealthcare.com](http://strongarmhealthcare.com)

All dimensions are in inches and are assumed center and symmetrical, unless noted otherwise. This drawing is the sole property of Strongarm Designs, Inc. This drawing contains proprietary information which shall not be used for manufacture for others

# MMXR and MM Display Wall Arm Specifications

DOC# SAHC\_MMDWA\_SPEC REV01

## Adjustability

Vertical travel: 16" with MMXR and 12" with MM

Swivel at display end: 340°

Swivel at mounting end: 180°

Display tilt: Forward tilt: 15°, Backward tilt: 45°

Display rotation: 90°, landscape or portrait

## Vertical Positioning

Counterbalanced vertical adjustability

Display remains level when repositioned

## Materials of Construction

Body: 319F cast aluminum alloy

## Cable Management

Integrated internal/external cable covers

## Bearings

Horizontal Axles: Precision ground ball bearings

Vertical Axles: Acetal bushings

## Mounting Styles

Track mount (wall mount and surface mount options available)

## Finish

2-part catalyzed polyurethane antimicrobial powder coat (stock and custom colors available)

## Approvals and Certifications

UL, CE, U.S. GSA Advantage, OSHPD



### Contact Us:

[sales@strongarmhealthcare.com](mailto:sales@strongarmhealthcare.com)

(215) 443-3400

[strongarmhealthcare.com](http://strongarmhealthcare.com)

Strongarm, Inc.

425 Caredean Drive

Horsham, PA 19044