

CleanMount™ with PatientView™

Strongarm Healthcare's CleanMount keyboard and monitor wall arm features a fully enclosed cable passageway eliminating all external cable clutter, and its smooth, non-porous surfaces are ultra-cleanable. CleanMount's multiple pivot points and vertical articulation allow the monitor and keyboard to be quickly and easily repositioned to achieve optimal ergonomics for each user. Durable, cast aluminum construction makes the CleanMount exceptionally suitable for hospitals and all healthcare, clean room, and point-of-care environments where cleanliness is vital.

The CleanMount PatientView™ feature provides the ability to pivot the display and keyboard independently, allowing the patient to view the information displayed on the screen.

Features

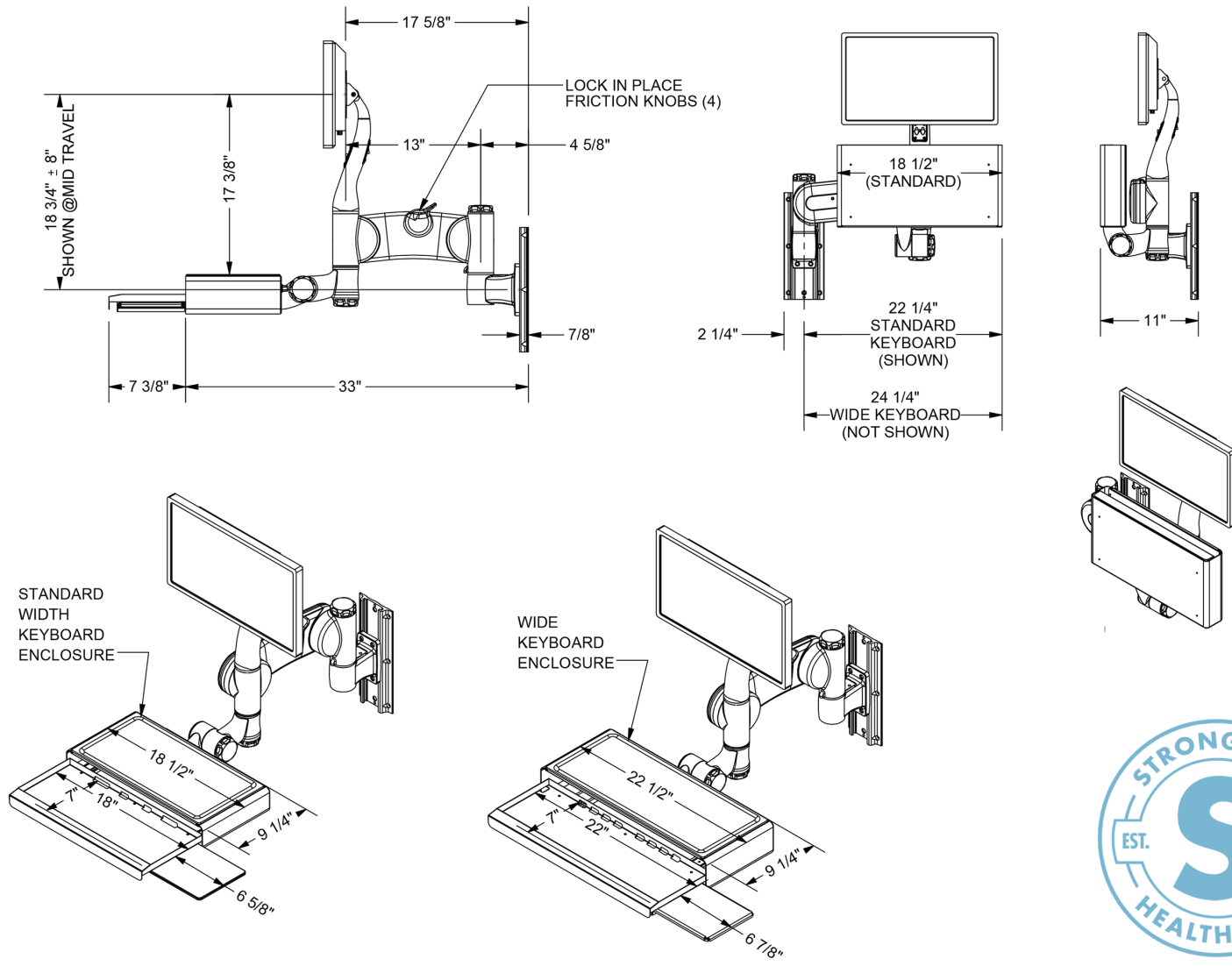
- Internal cable passageway minimizes exposed cables
- 100% counterbalanced and pre-wired for your monitor/display
- 16" of vertical articulation
- Remains level throughout vertical and horizontal movement
- Secure mechanical lock-in-place feature
- A variety of keyboard enclosures, trays, and work surfaces available
- All trays and work surfaces include a USB powered USB 3.0 hub (powered USB hub optional)
- "No bounce" platform for typing
- Tilting display mount with standard VESA bracket
- 6.25" of independent vertical monitor adjustment with optional vertically adjustable VESA display mount
- Pivoting ergonomic display mount reduces glare and enhances visibility
- Robust aluminum construction, powder-coated antimicrobial finish
- Dual swivel ends allow for precise ergonomic repositioning
- Optional rotational stops
- Fully extends 40.375" from mounting point, up to 58.375" with optional horizontal extension*
- Folds to 10" depth for convenient stowaway
- Mounting tracks available from 12" to 72"
- Limited Lifetime Warranty



strongarmhealthcare.com
sales@strongarmhealthcare.com
(215) 443-3400

Strongarm, Inc.
425 Caredean Drive
Horsham, PA 19044

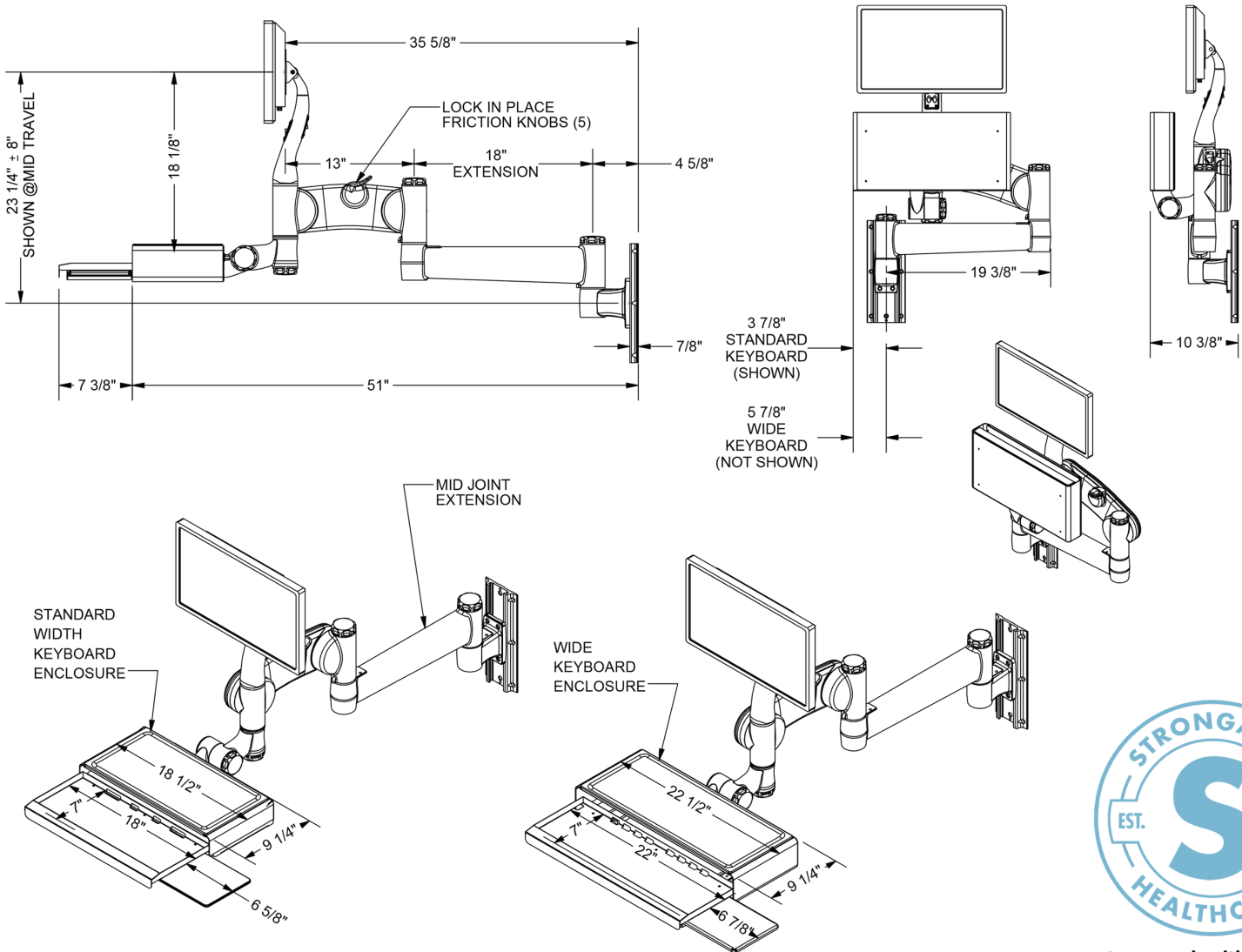
CleanMount™ Base Configurations and Dimensions



strongarmhealthcare.com

All dimensions are in inches and are assumed center and symmetrical, unless noted otherwise. This drawing is the sole property of Strongarm Designs, Inc. This drawing contains proprietary information which shall not be used for manufacture for others.

CleanMount™ Base Configurations and Dimensions (with optional horizontal extension)



strongarmhealthcare.com

All dimensions are in inches and are assumed center and symmetrical, unless noted otherwise. This drawing is the sole property of Strongarm Designs, Inc. This drawing contains proprietary information which shall not be used for manufacture for others.

CleanMount™ Specifications

DOC# SAHC_CM_SPEC REV02

Adjustability

Vertical Travel: 16"

Swivel at display end: 340°

Swivel at mounting end: 180°

Display Tilt: Forward tilt: 15°, Backward tilt: 45°

Vertical Positioning

Counterbalanced vertical adjustability

Display and keyboard maintain level when repositioned

Materials of Construction

Body: 3056 cast aluminum alloy

Keyboard Tray: 5052 aluminum alloy

Cable Management

Pre-installed internal cabling with removeable cover

Bearings

Horizontal Axles: Precision ground ball bearings

Vertical Axles: Acetal bushings

Mounting Styles

Track mount (wall mount and surface mount options available)

Finish

2-part catalyzed polyurethane antimicrobial powder coat
(stock and custom colors available)

Approvals and Certifications

UL, CE, U.S. GSA Advantage, OSHPD



See CleanMount™ in action at:
strongarmhealthcare.com/cleanmount

