

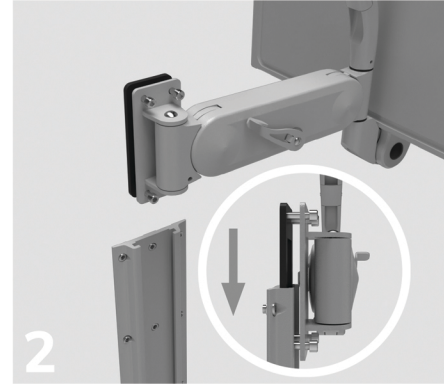
# MightyMount™ Installation Guide

## Parts included:

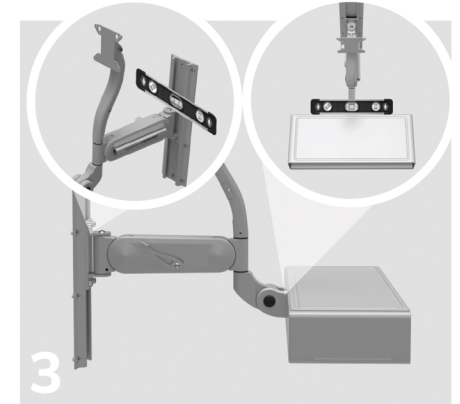
- 1/4" hex key wrench
- (4) M4x8 thumb screws
- (4) M4x12 thumb screws
- Track cover



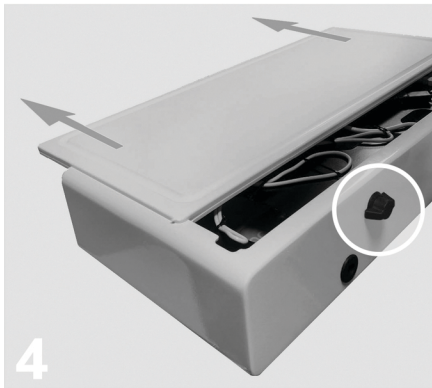
Install mounting track. Refer to separate track installation guide for reference.



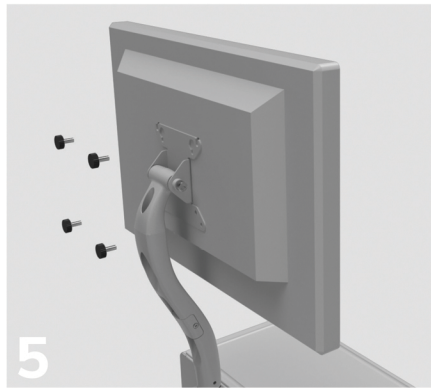
Insert MightyMount sliding bracket into track and loosely tighten 1/4" hex bolts at preferred mounting height.



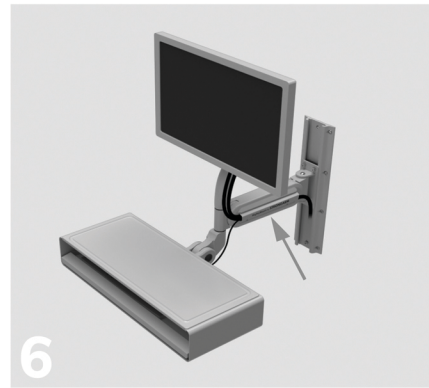
Using a small level, align MightyMount and use supplied hex wrench to tighten the four 1/4" hex bolts.



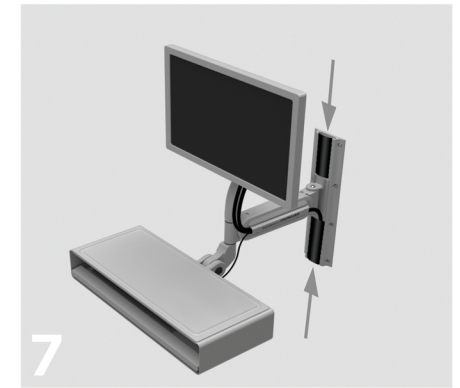
To access internal USB hub, twist rear latch 1/4 turn and slide keyboard enclosure top outward.



Use M4x8 or M4x12 thumb screws to attach display to display mounting bracket.



Attach display cables and thread cables through detachable cable guard. Tie wraps may be inserted through hole in display neck for additional security.



Trim supplied track cover to desired length and slide into mounting track channel as shown.