

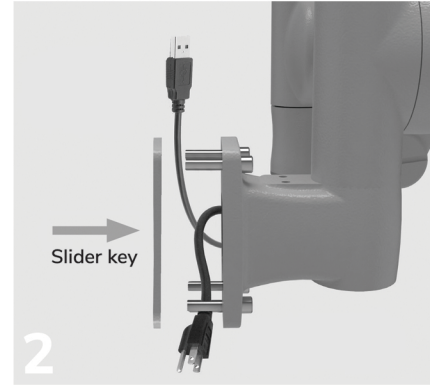
CleanMount™ Installation Guide

Parts included:

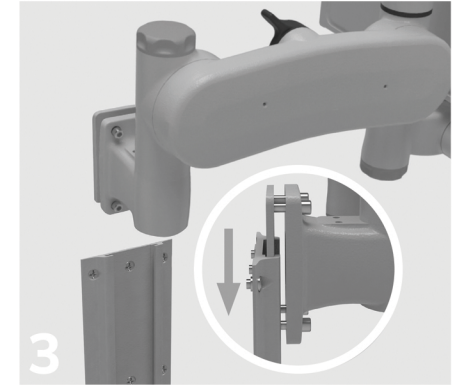
- 1/4" hex key wrench
- (4) M4x8 thumb screws
- (4) M4x12 thumb screws
- Track cover



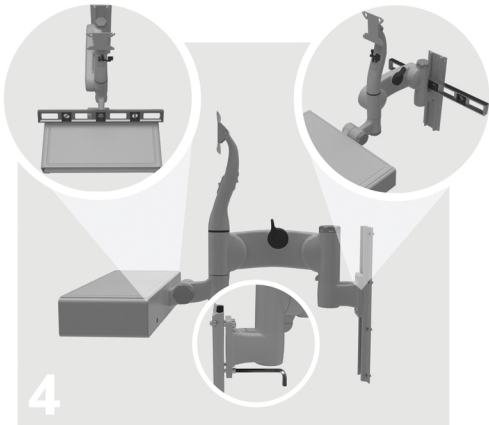
1 Install mounting track. Refer to separate track installation guide for reference.



2 Remove track slider key and insert cables between slider key and CleanMount base. Route cables up or down according to your installation.



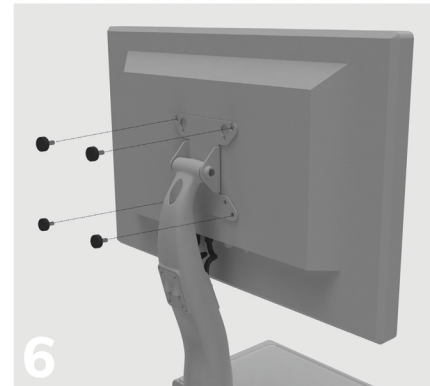
3 Insert CleanMount sliding bracket into track and loosely tighten 1/4" hex bolts at preferred mounting height. *Cables not shown for clarity.*



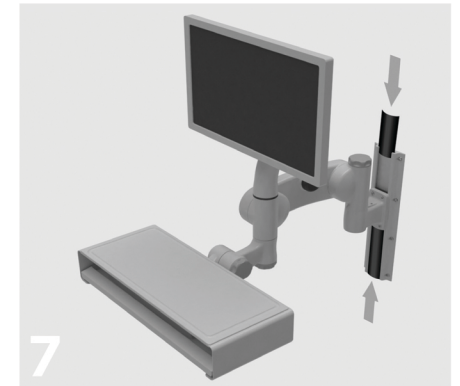
4 Using a small level, align CleanMount and use supplied hex wrench to tighten the four 1/4" hex bolts.



5 To access internal USB hub, twist rear latch 1/4 turn and slide keyboard enclosure top outward.



6 Use M4x8 or M4x12 thumb screws to attach display to display mounting bracket.



7 Trim supplied track cover to desired length and slide into mounting track channel as shown.