

STRONGARM® healthcare

FlexMount AV



**Industrial-grade
medical AV swing arm**

UV Sterilization Approved

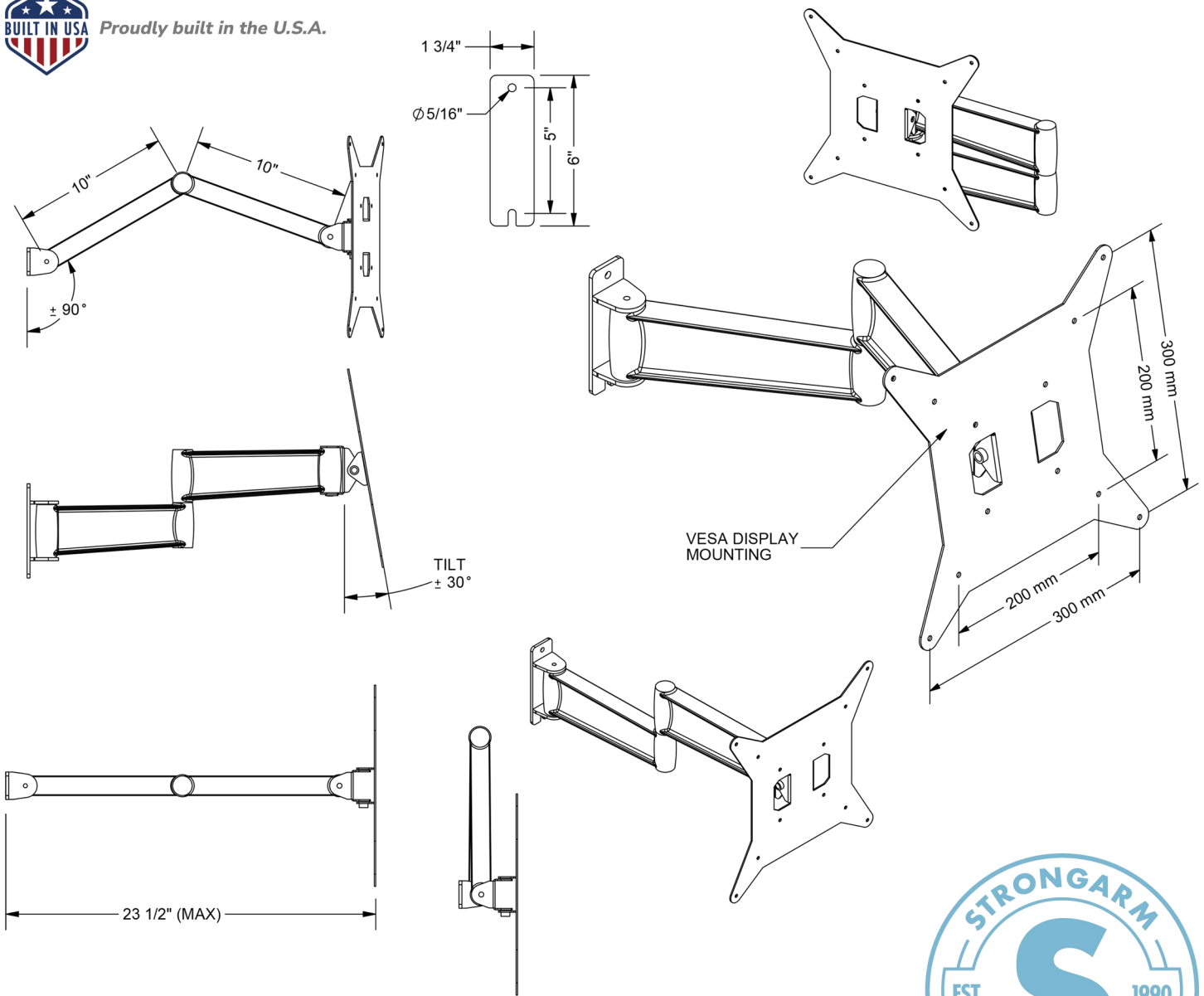
- **Low-Profile Design**
- **Cast Construction for Strength**
- **Medical-Grade**
- **Full Extension up to 23.5"**
- **VESA Tilt +/- 30°**
- **Antimicrobial Finish**

FlexMount AV Specifications

Finish	White antimicrobial powder coat
Adjustability	Extend, swivel, tilt
Maximum Extension	23.5"
Display Mounting	Landscape or portrait
VESA Tilt	+/- 30°
Maximum Weight Capacity	35 lb
Typical Display Size	15"-42"
VESA Display Mounting Pattern	100x100, 200x200, 300x300
Installation	Wall-mounted single-stud installation



Proudly built in the U.S.A.



Strongarm Healthcare
425 Caredean Drive
Horsham, PA 19044

Toll-free: (800) 778-7901
Phone: (215) 443-3400
Fax: (215) 443-3002

