

STRONGARM® healthcare

CleanMount™

CleanMount's internal cabling eliminates cable clutter, and its smooth, rounded surfaces offer superior cleanability.

Precise ergonomics and durable construction make CleanMount optimal for all hospital and point-of-care applications.

CleanMount arrives pre-cabled, fully assembled, and installs in minutes!

UV Sterilization Approved

Limited Lifetime Warranty



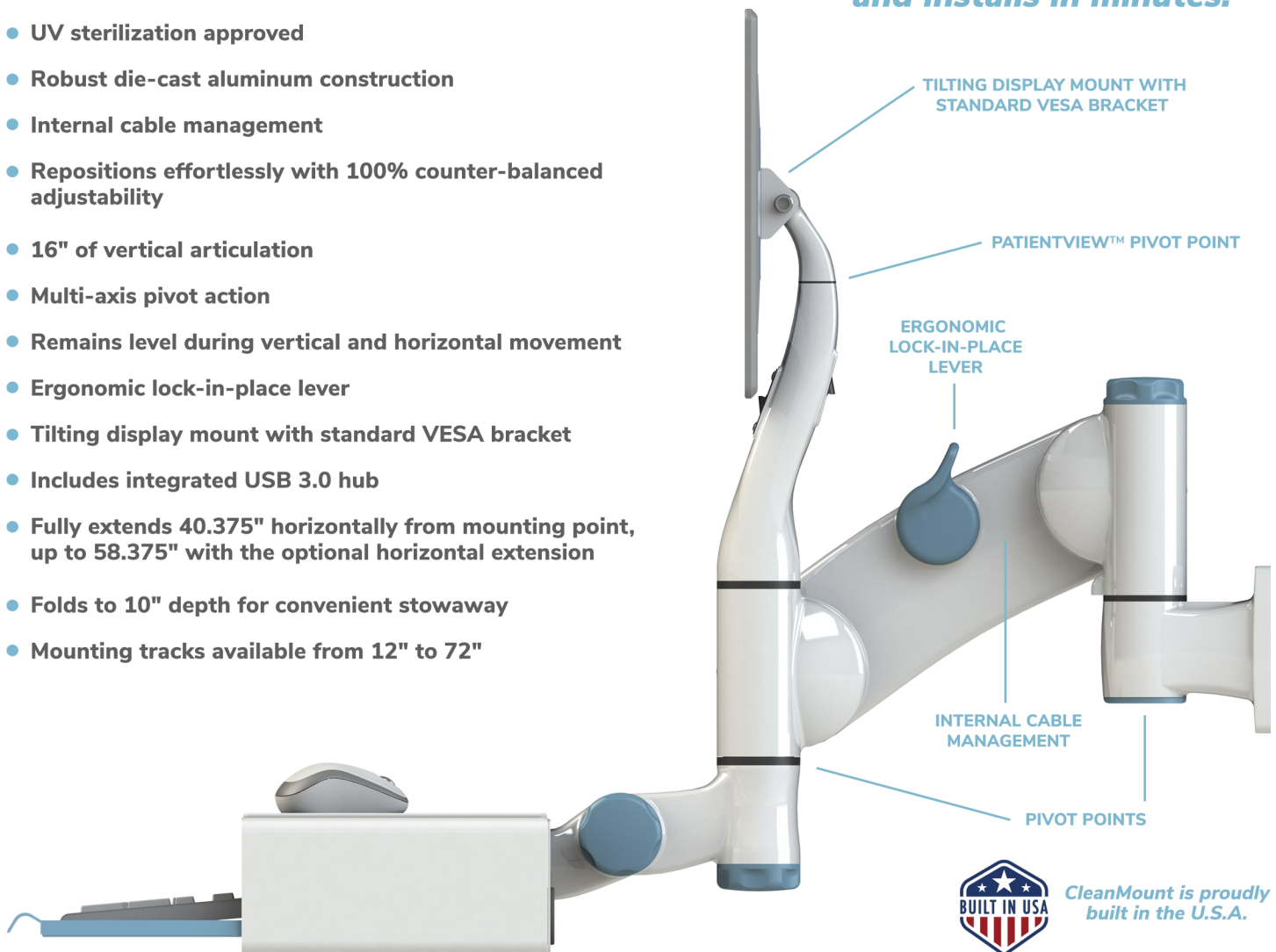
- **Antimicrobial Finish**
- **Ergonomic Design**
- **Durable Construction**
- **Industrial Grade**
- **Customizable Options**
- **Easy to Install**

CleanMount features a fully enclosed pre-cabled passageway eliminating external cable clutter, and its smooth, non-porous surfaces are ultra-cleanable. Multiple pivot points and vertical articulation allow CleanMount's monitor and keyboard to be quickly and easily repositioned to achieve optimal ergonomics for each user. Durable, cast aluminum construction makes the CleanMount exceptionally suitable for hospital, healthcare, clean room, and point-of-care environments where cleanliness is vital.

Key Features

- Antimicrobial powder coated finish
- UV sterilization approved
- Robust die-cast aluminum construction
- Internal cable management
- Repositions effortlessly with 100% counter-balanced adjustability
- 16" of vertical articulation
- Multi-axis pivot action
- Remains level during vertical and horizontal movement
- Ergonomic lock-in-place lever
- Tilting display mount with standard VESA bracket
- Includes integrated USB 3.0 hub
- Fully extends 40.375" horizontally from mounting point, up to 58.375" with the optional horizontal extension
- Folds to 10" depth for convenient stowaway
- Mounting tracks available from 12" to 72"

CleanMount ships pre-cabled, fully assembled, and installs in minutes!



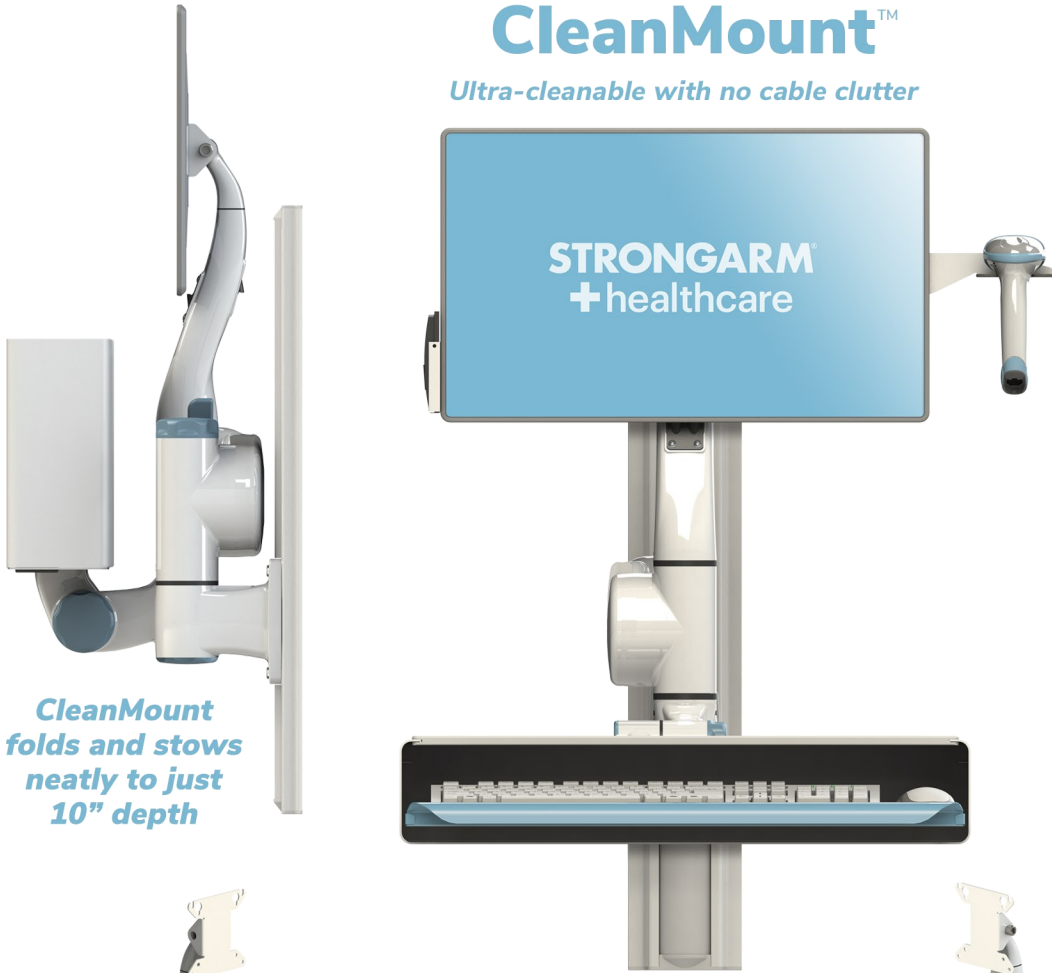
CleanMount is proudly built in the U.S.A.

CleanMount's PatientView™ feature permits the display to be rotated towards the patient independently of the keyboard during patient/medical practitioner consultation.



CleanMount™

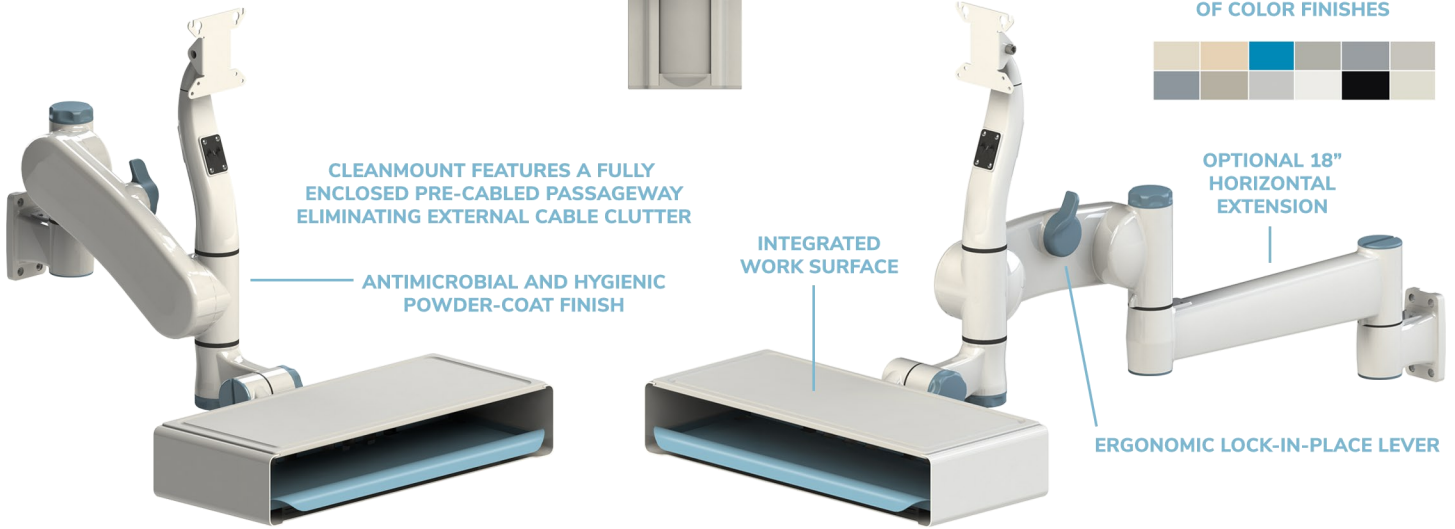
Ultra-cleanable with no cable clutter



CleanMount folds and stows neatly to just 10" depth

Optional track mounted PC holders and enclosures

CLEANMOUNT IS AVAILABLE IN A WIDE SELECTION OF COLOR FINISHES



CLEANMOUNT FEATURES A FULLY ENCLOSED PRE-CABLED PASSAGEWAY ELIMINATING EXTERNAL CABLE CLUTTER

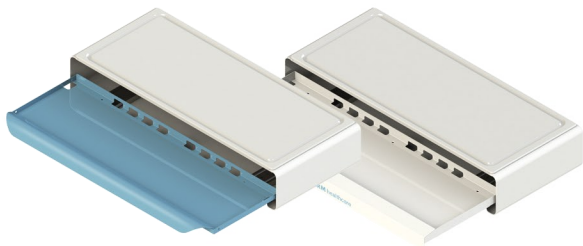
ANTIMICROBIAL AND HYGIENIC POWDER-COAT FINISH

INTEGRATED WORK SURFACE

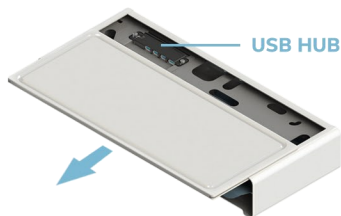
OPTIONAL 18" HORIZONTAL EXTENSION

ERGONOMIC LOCK-IN-PLACE LEVER

Strongarm Healthcare offers a wide selection of optional CleanMount accessories including PC holders and enclosures, horizontal arm extensions, dual display mounts, brackets and holders for bar code scanners, RFID scanners, card readers, and webcams, plus a variety of keyboard enclosures and trays.



TWO STYLES OF KEYBOARD ENCLOSURES AVAILABLE IN 18" or 22" WIDTH



SLIDING WORK SURFACE PROVIDES EASY ACCESS TO THE INTEGRATED USB HUB



OPEN KEYBOARD TRAY WITH MOUSE PAD

CleanMount™ Key Specifications

CleanMount is proudly built in the U.S.A.

Adjustability

Vertical travel

16"

Maximum extension from wall

40.375" without optional extension

58.375" with optional 18" extension

Swivel

At display end: 340°

At mounting end: 180°

Display tilt

Forward tilt: 15°

Backward tilt: 45°

Construction

Body

Die-cast aluminum alloy

Keyboard enclosure and tray

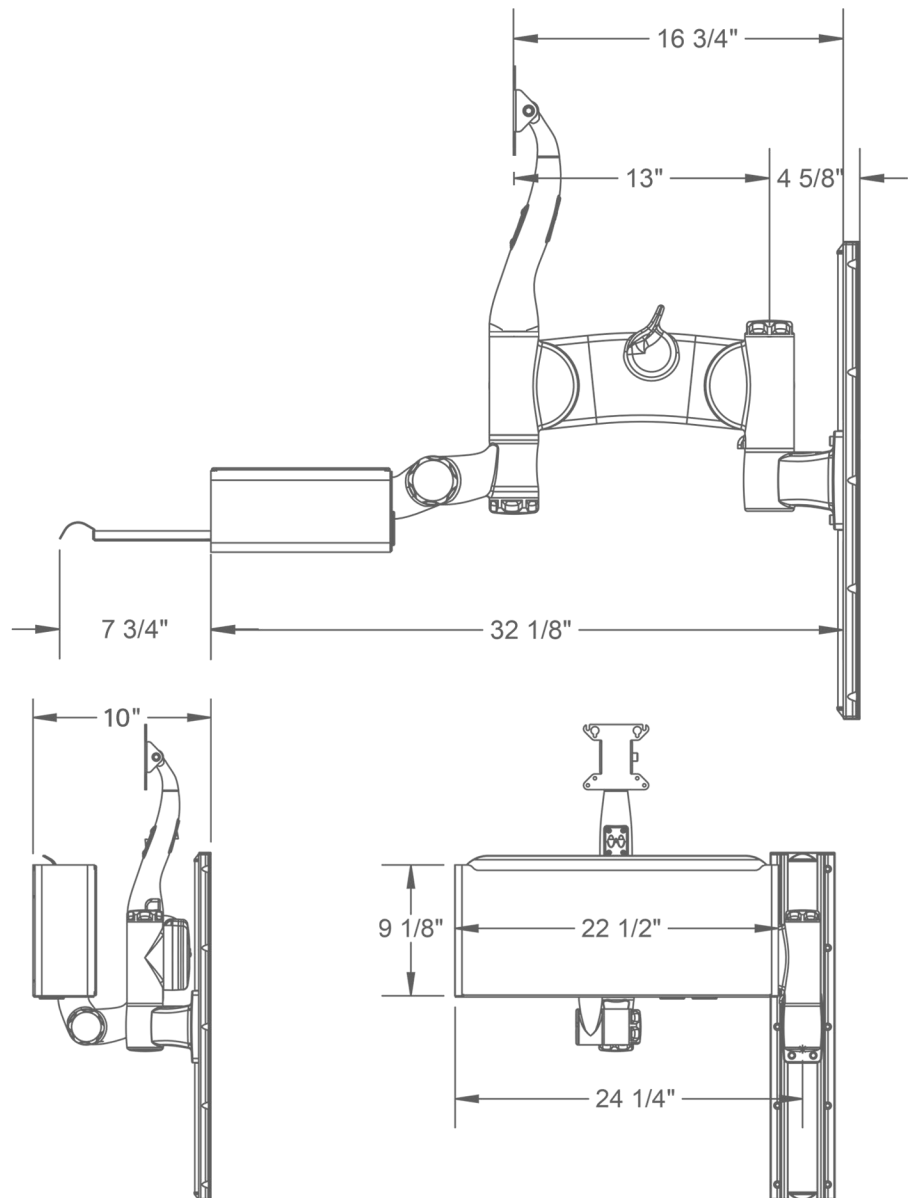
Aluminum alloy

Finish

Two-part antimicrobial catalyzed polyurethane powder coat

Approvals and Certifications

UL, CE, U.S. GSA Advantage, OSHPD



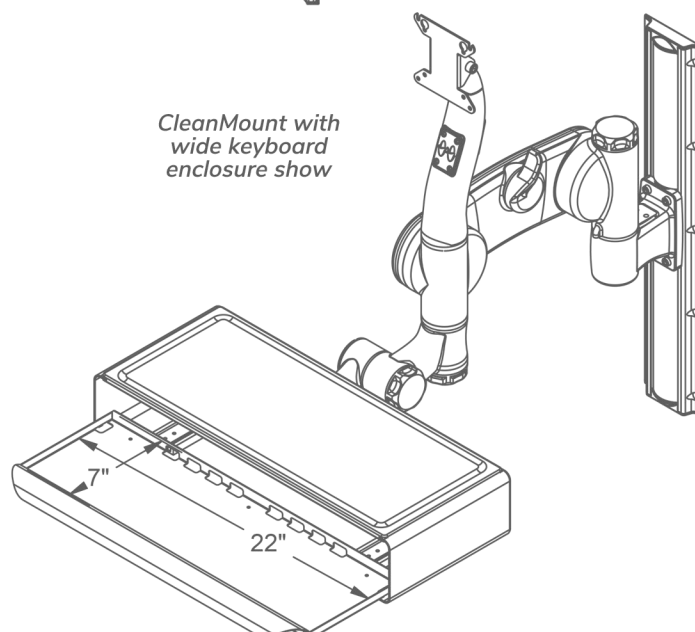
Strongarm Healthcare

425 Caredean Drive
Horsham, PA 19044

Toll-free: (800) 778-7901

Phone: (215) 443-3400

Fax: (215) 443-3002



DOWNLOAD
CLEANMOUNT
SPEC SHEET



DOWNLOAD
CLEANMOUNT
INSTALL GUIDE

